

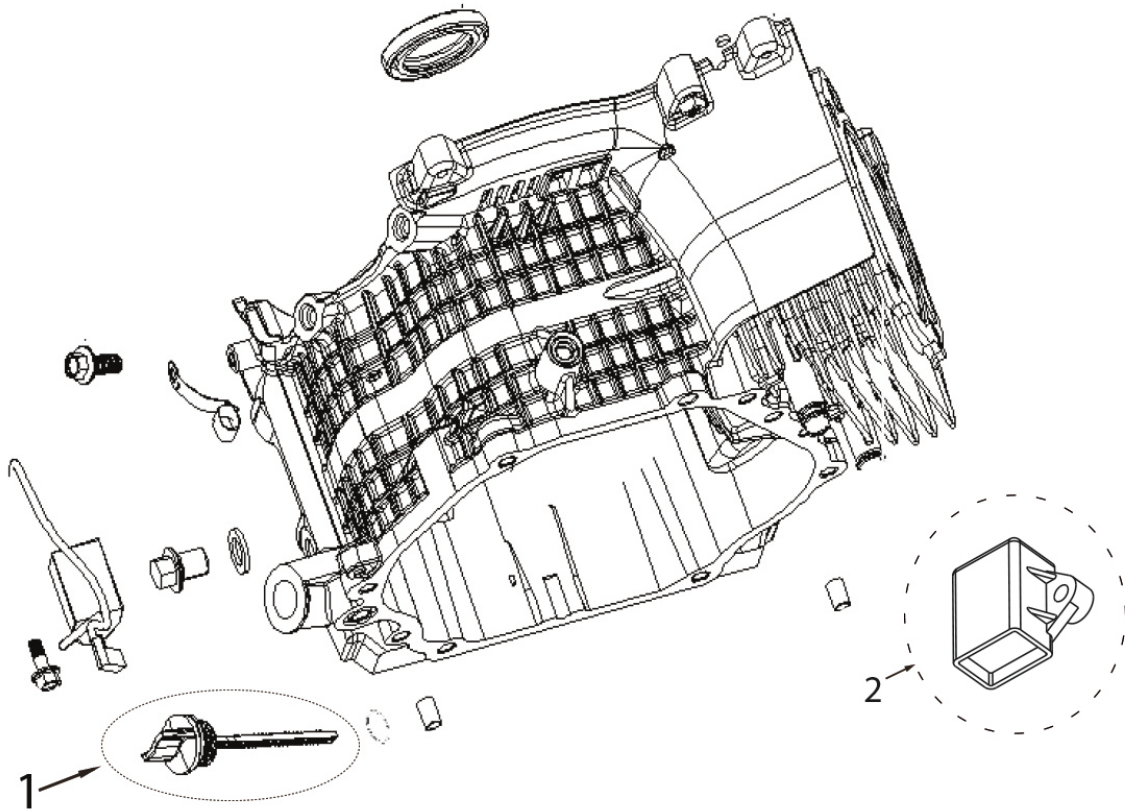


PARTS BREAKDOWN GENERATOR

MODEL: PA-GH12500T

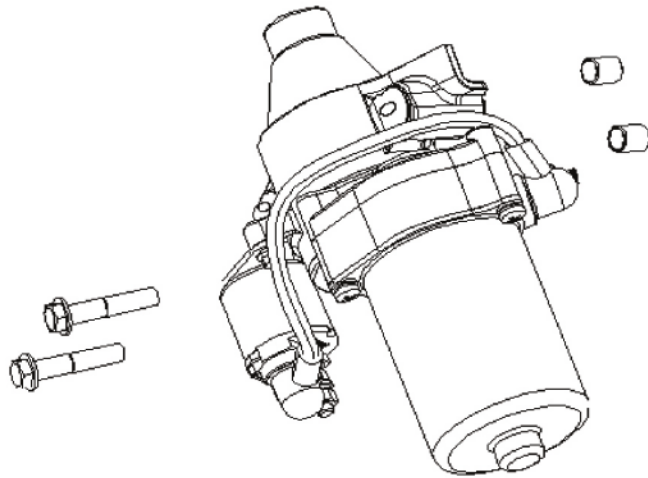


CRANKCASE PARTS



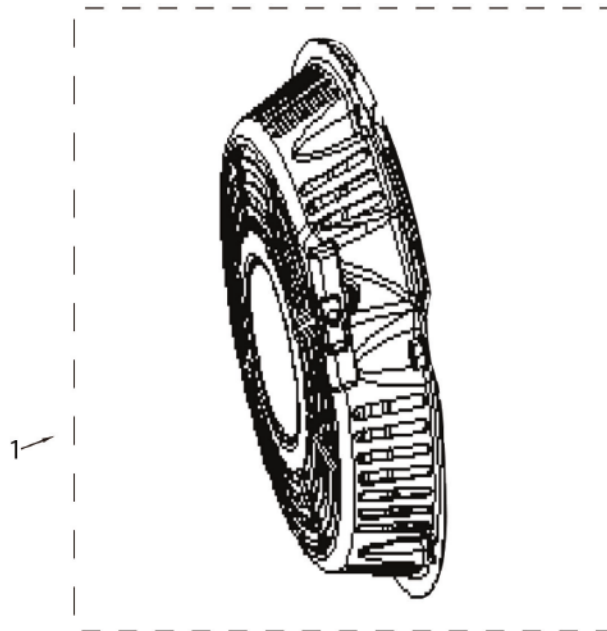
REF #	DESCRIPTION	QTY	PART #
1	MAGNETIC DIPSTICK	1	PA-P85561040
2	GOVERNOR	1	PA-P85561041

STARTING MOTOR



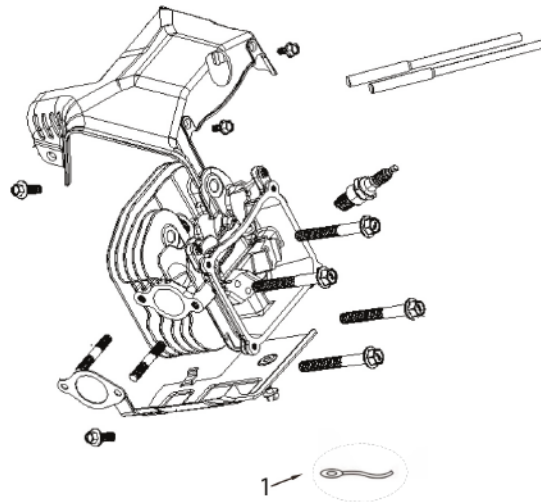
REF #	DESCRIPTION	QTY	PART #
1	MOTOR STARTER	1	PA-P85561034

ENGINE STARTER



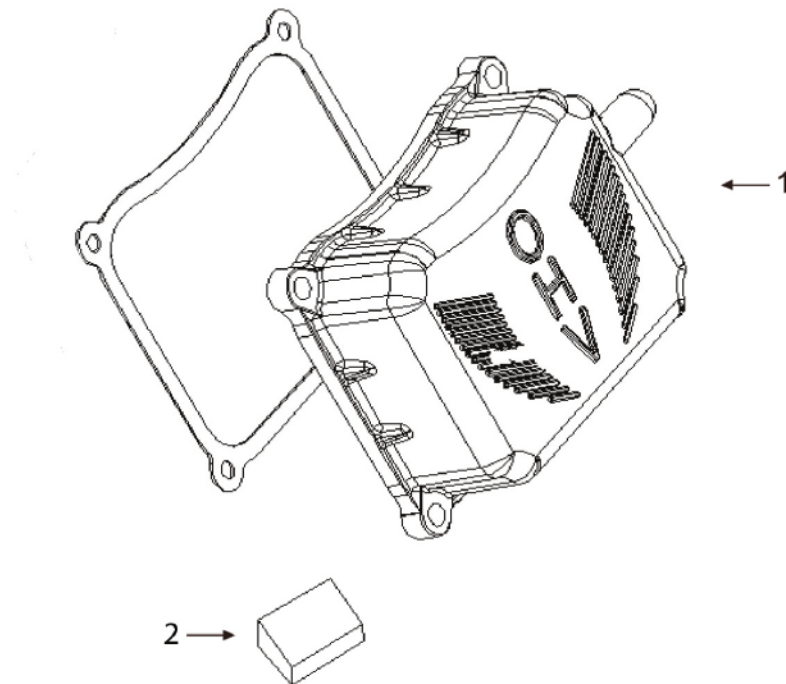
REF #	DESCRIPTION	QTY	PART #
1	RECOIL ASSEMBLY	1	PA-P85561010

CYLINDER HEAD PARTS



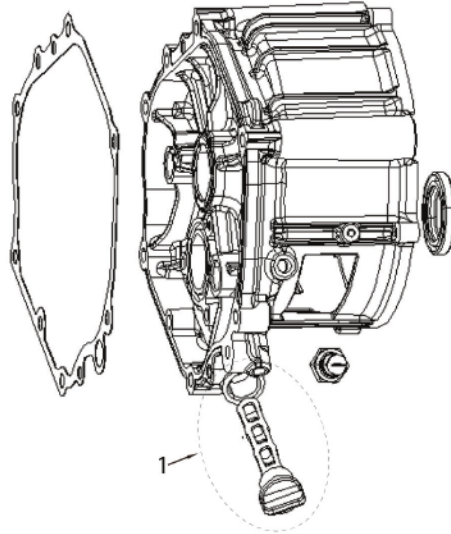
REF #	DESCRIPTION	QTY	PART #
12	TEMPERATURE CONTROL SENSOR	1	PA-P85561030

VALVE COVER



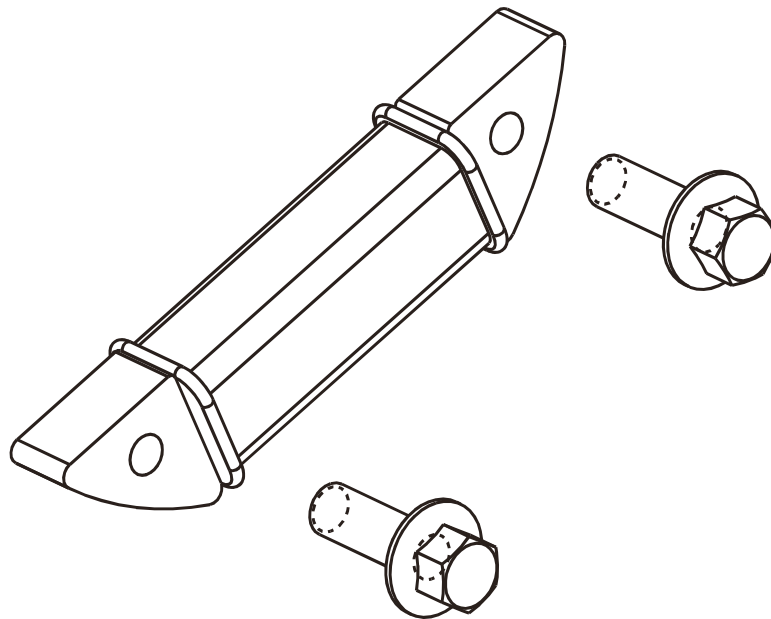
REF #	DESCRIPTION	QTY	PART #
1	VALVE COVER ASSEMBLY	1	PA-P85561094
2	OIL STRAINER	1	PA-P85561096

CRANKCASE COVER



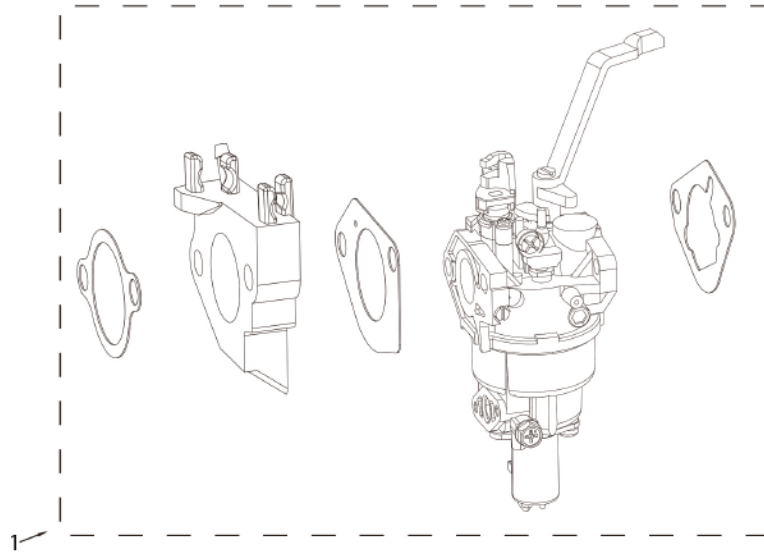
REF #	DESCRIPTION	QTY	PART #
5	OIL FILTER PLUG	1	PA-P85561042

CHARGING COIL ASSEMBLY



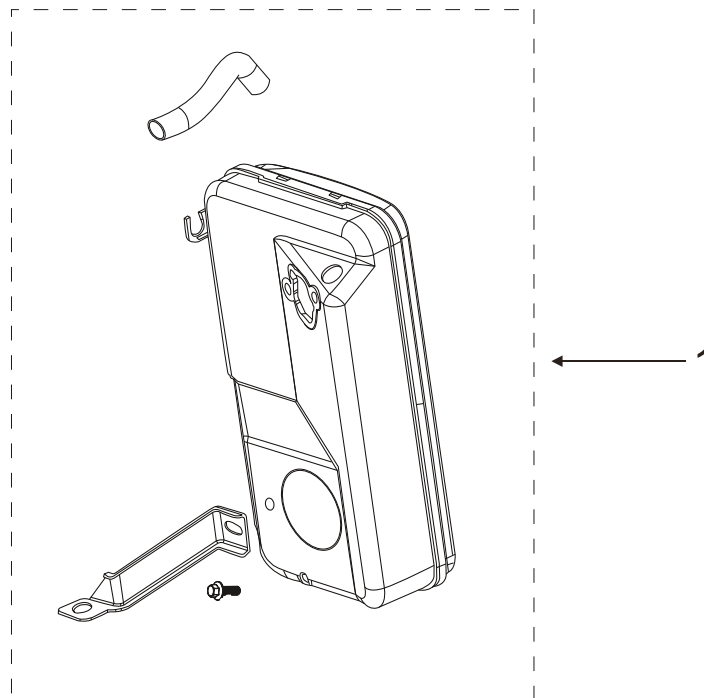
REF #	DESCRIPTION	QTY	PART #
1	CHARGING COIL	1	PA-P85561029

CARBURETOR ASSEMBLY



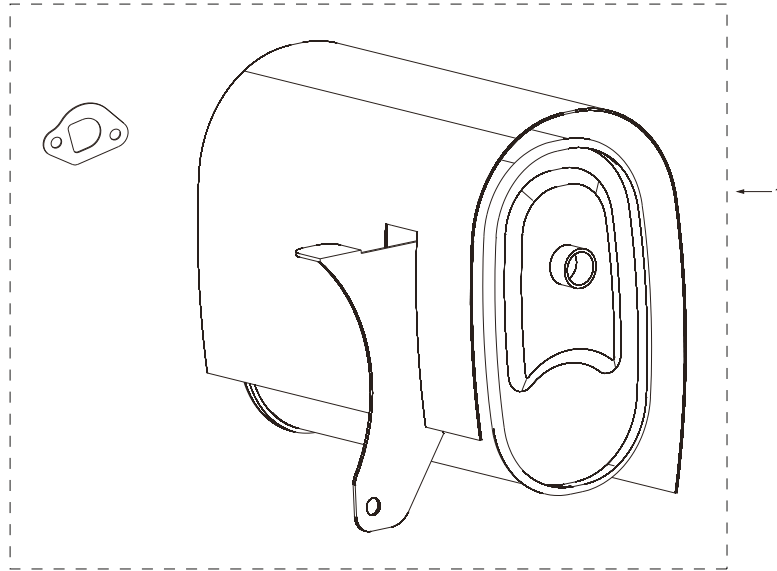
REF #	DESCRIPTION	QTY	PART #
1	CARBURETOR ASSEMBLY.	1	PA-P85561035

AIR CLEANER ASSEMBLY



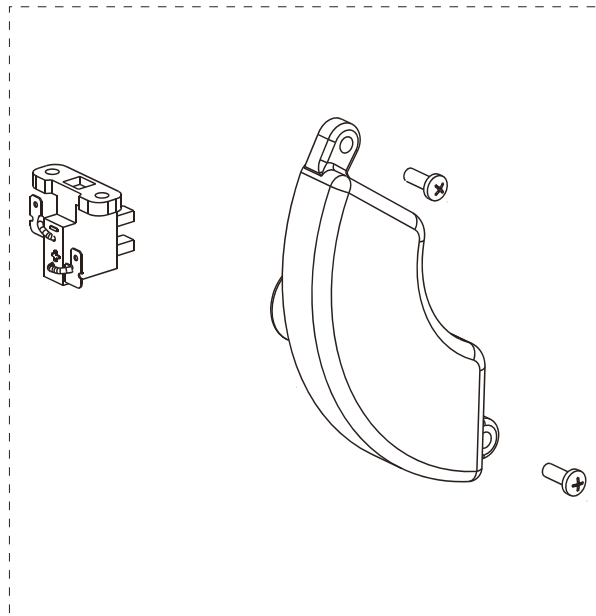
REF #	DESCRIPTION	QTY	PART #
1	AIR CLEANER ASSEMBLY.	1	PA-P85561036

MUFFLER PARTS



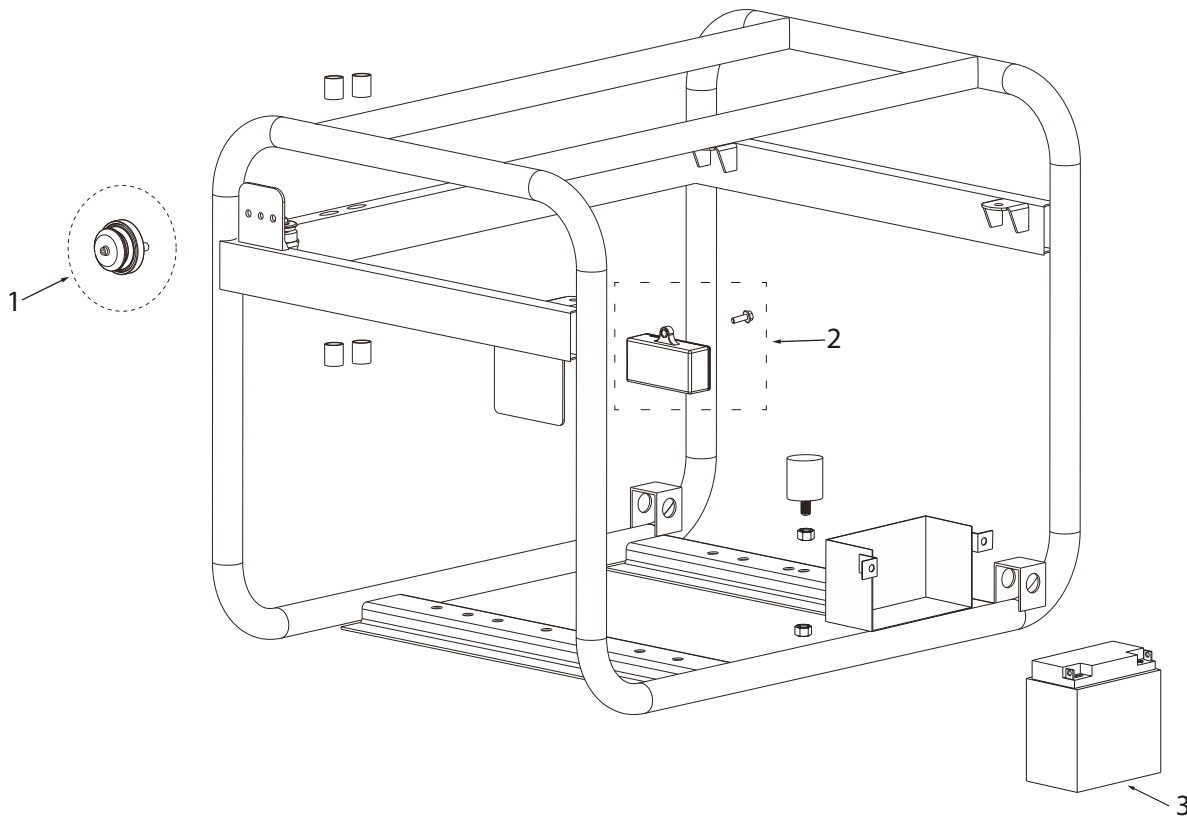
REF #	DESCRIPTION	QTY	PART #
1	MUFFLER W/GASKET	1	PA-P85561097

VOLTAGE REGULATOR



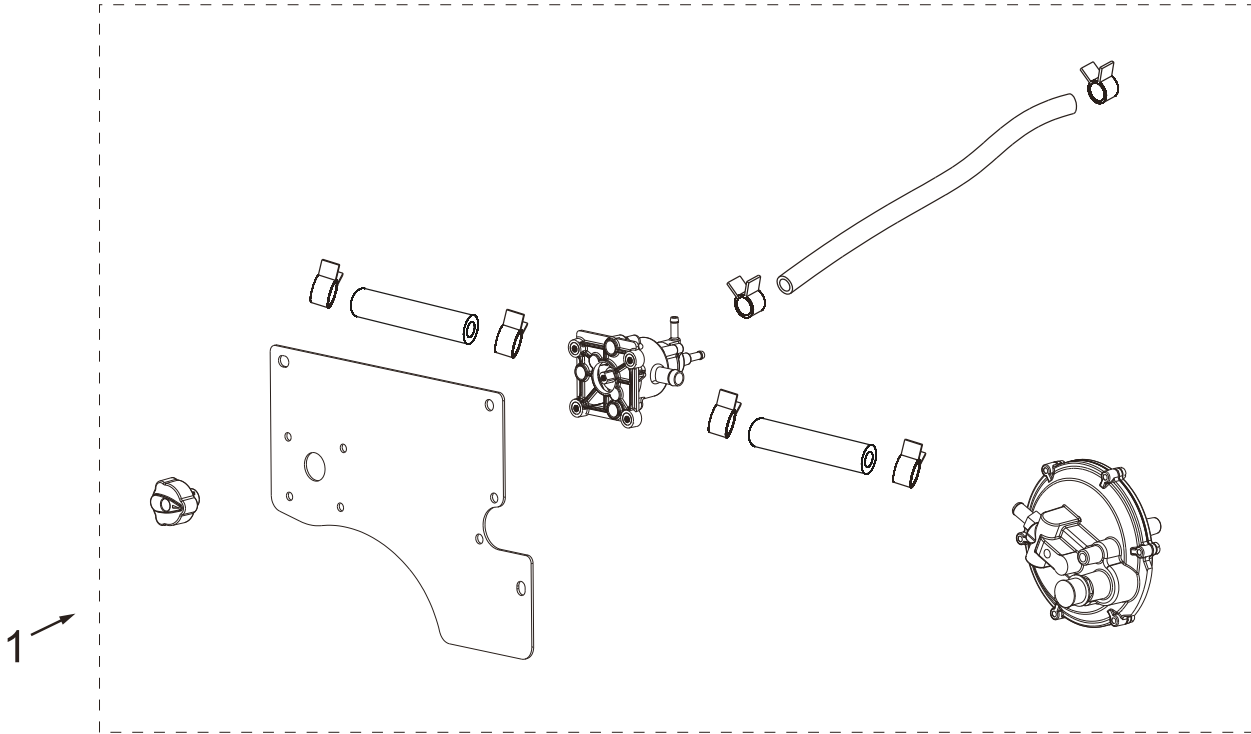
REF #	DESCRIPTION	QTY	PART #
1	AVR & BRUSHES	1	PA-P85561037

FRAME PARTS



REF #	DESCRIPTION	QTY	PART #
1	COLD WEATHER PRIMER	1	PA-P85561005
2	CO ALARM	1	PA-P85561006
3	LITHIUM BATTERY	1	PA-P85561032

SWITCH, SECONDARY PRESSURE REDUCING VALVE



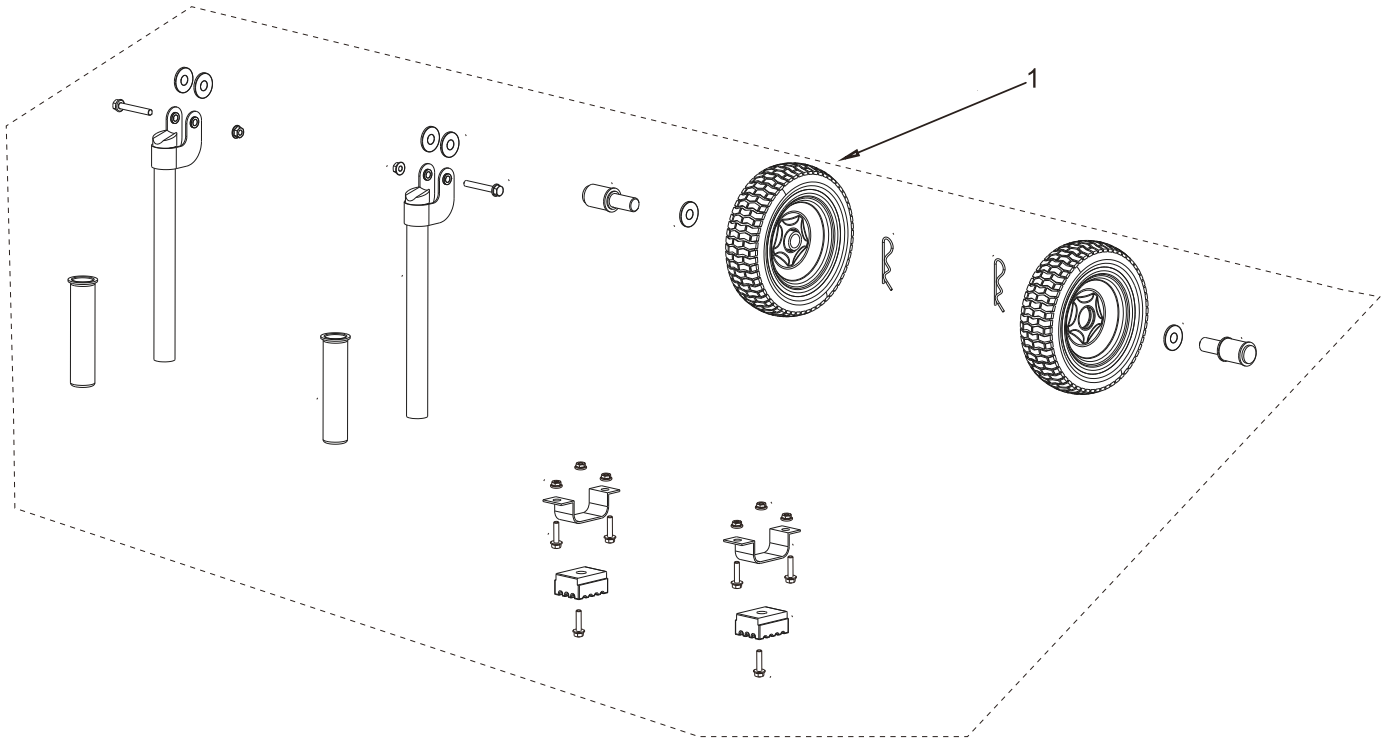
REF #	DESCRIPTION	QTY	PART #
1	SWITCH, SECONDARY PRESSURE REDUCING VALVE	1	PA-P85561038



PARTS BREAKDOWN GENERATOR

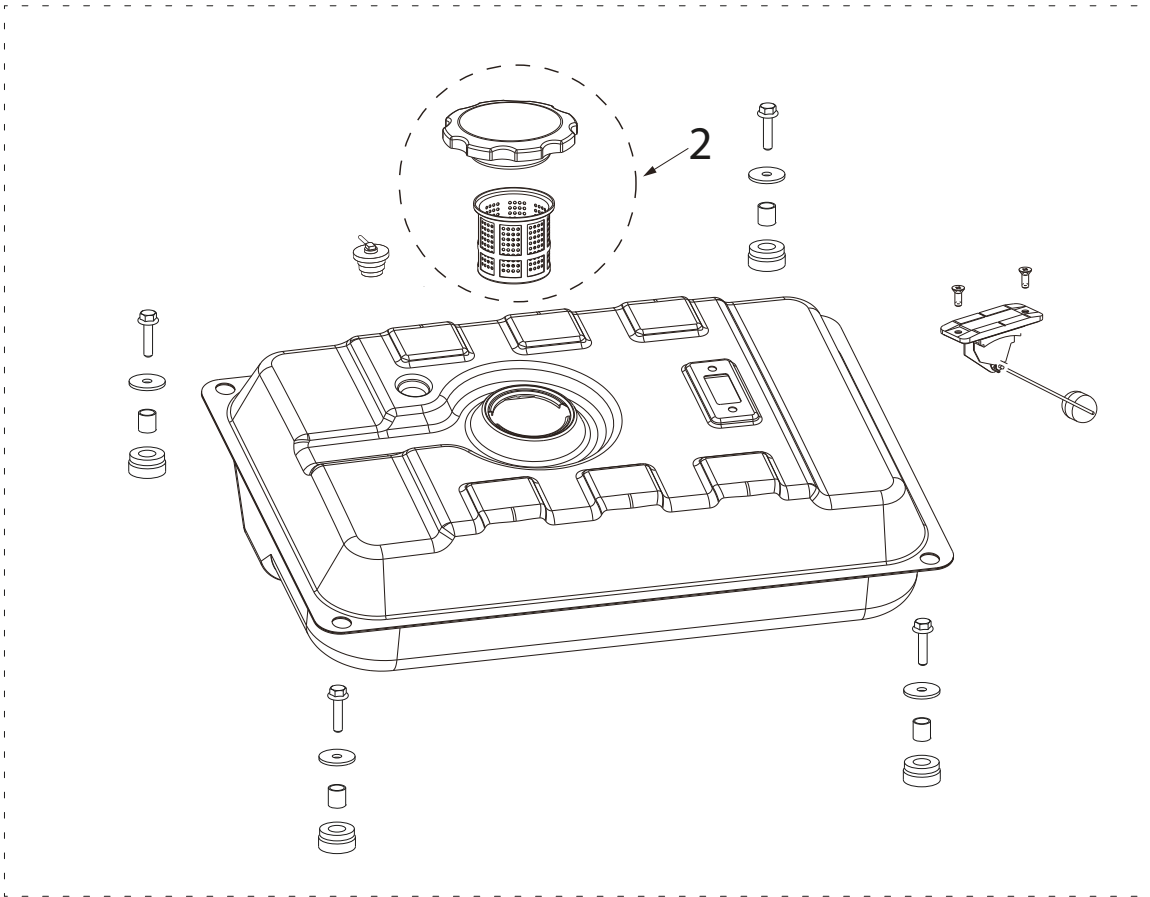
MODEL: PA-GH12500T

WHEEL AND HANDLE SET



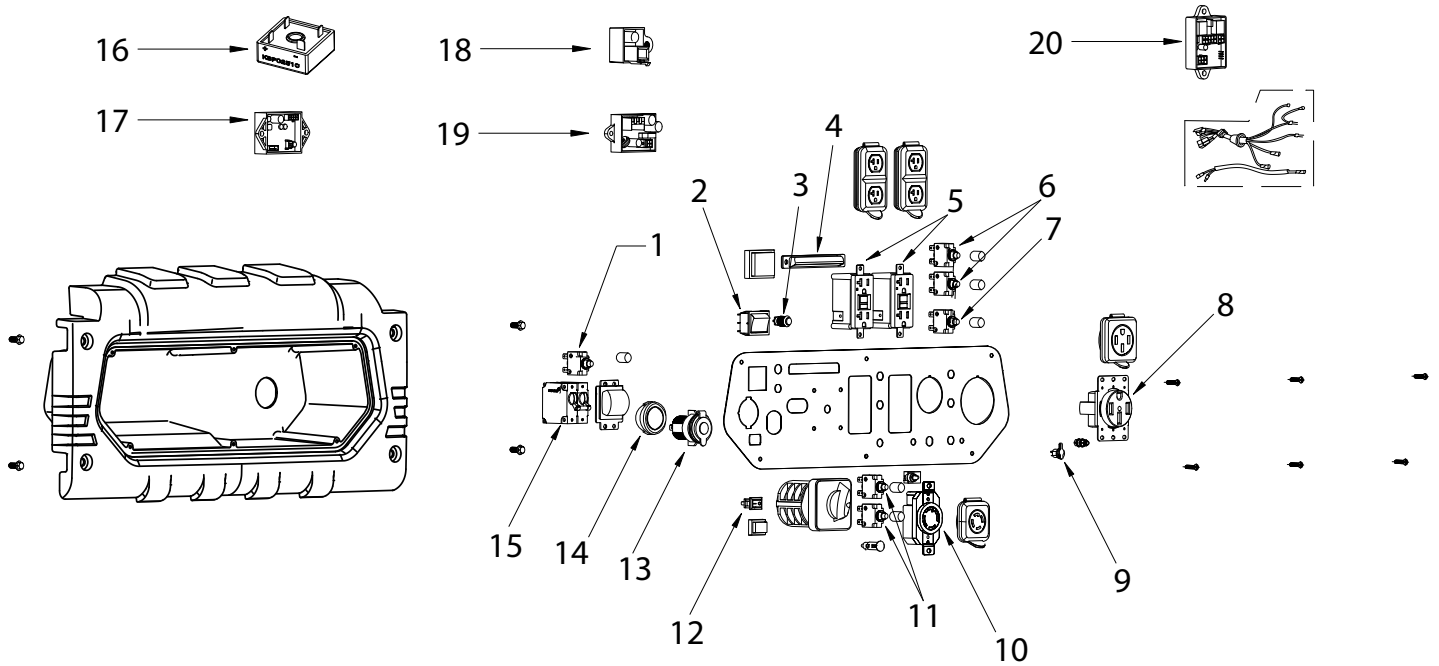
REF #	DESCRIPTION	QTY	PART #
1	WHEEL AND HANDLE SET	2	PA-P85561026

FUEL TANK PARTS



REF #	DESCRIPTION	QTY	PART #
1	FUEL TANK ASSEMBLY	1	PA-P85561098
2	FUEL CAP & TRAINER	1	PA-P85561039

CONTROL PANEL



REF #	DESCRIPTION	QTY	PART #
1	DC THERMAL PROTECTION 8A	1	PA-P85561147
2	ENGINE SWITCH	1	PA-P85561154
3	LED SWITCH	1	PA-P85561136
4	LED LIGHT	1	PA-P85561155
5	AC RECEPTACLE(GFCI) AC125V/20A	2	PA-P85561146
6	PROTECTOR 30A	2	PA-P85561149
7	PROTECTOR 50A	1	PA-P85561161
8	AC RECEPTACLE AC125V250V/50A	1	PA-P85561162
9	BATTERY CHARGER	1	PA-P85561157
10	AC RECEPTACLE AC125V250V/30A	1	PA-P85561145
11	PROTECTOR 20A	2	PA-P85561141
12	IDLE SWITCH	1	PA-P85561153
13	DC12V	1	PA-P85561148
14	ONE-CLICK START SWITCH	1	PA-P85561158
15	CIRCUIT BREAKER 2P-40A	1	PA-P85561171
16	KBPC2510	1	PA-P85571049
17	ELECTRONIC SPEED CONTROL MODULE	1	PA-P85561172
18	DC08	1	PA-P85561142
19	EC1603	1	PA-P85561175
20	ONE-CLICK START MODULE	1	PA-P85561160

patron[®]

